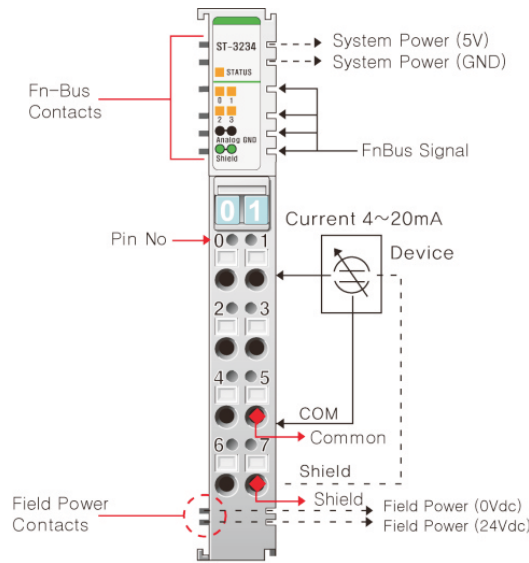


ST-3234

4~20mA, 4 Channels, Current, 14bit



Item		ST-3234
Input Specification		
Number of Inputs	4 Channels Single Ended, Non-isolated Between Channels	
Indicators	4 Green/Red States, 1 Green/Red Fn-Bus State	
Resolution in Ranges	14Bits : 0.9uA/Bit	
Input current Range	4~20mA	
Data Format	16bits Integer (2's compliment)	
Module Error	± 0.1% Full Scale @25℃ ± 0.3% Full Scale @0℃, 60℃	
Input Impedance	120Ω	
Conversion Time	4msec/All channel	
Calibration	Not Required	
Diagnostic	Channels Open (if <3mA, Data=0x8000)	
Common Type	4 Channels / 2COM (Single Common)	
General Specification		
Power Supply	From System Power DC/DC	
Power Dissipation	Max. 165mA@5.0Vdc	
Isolation	I/O to Logic : Photocoupler Isolation Field Power : Not Connected	
Wiring	I/O Cable Max. 2.0m ^m	
Weight	70g	
Module Size	12mm x 99mm x 70mm	
Environment Condition	Refer to " Environment Specification"(page : 1-191)	
Pin No.	Description	
0	Input Channel 0	
1	Input Channel 1	
2	Input Channel 2	
3	Input channel 3	
4	Input Channel Common (0V)	
5	Input Channel Common (0V)	
6	Chassis Ground / Shield	
7	Chassis Ground / Shield	
-	-	
-	-	
-	-	
-	-	
-	-	
-	-	
-	-	
-	-	
-	-	
-	-	
-	-	
-	-	
-	-	
-	-	